

DETEC AUSTRALASIA

MAGNETIC SEPARATORS

World Class Quality
and Performance

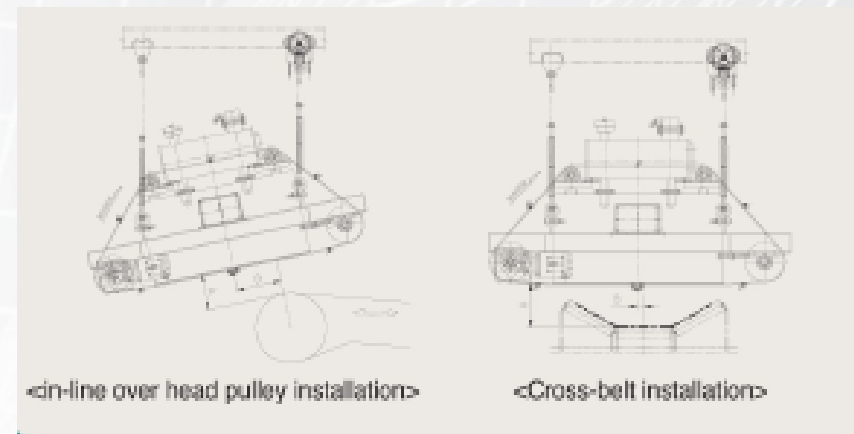
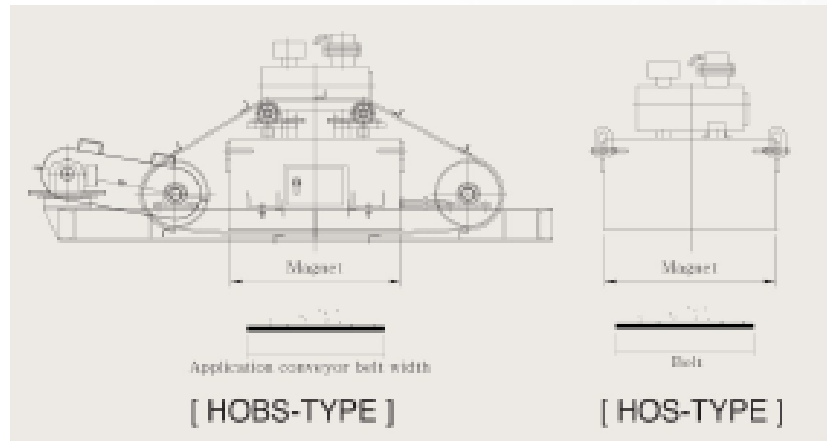


Suspended Electromagnetic Separator



- Available in a full range of custom units
- For 24hr round the clock operation
- Featuring deep and powerful magnetic fields
- Available with or without automatic reject belts
- All units feature class H insulation levels

Suspended Electromagnetic Separator



● Specification

Model	Apply Conveyor belt width(mm)		Magnet size LxW(mm)	Electromagnet DC power(kw)	Drive motor (kw)	Weight (kg)
	In-line	Cross-belt				
HOBS-450	400	400	500 x 450	1.5	0.75	950
HOBS-600	600	500	800 x 600	2.1	1.5	1,500
HOBS-800	800	700	1000 x 800	3.2	1.5	2,300
HOBS-1000	1000	900	1200 x 1000	4.5	2.2	3,000
HOBS-1200	1200	1100	1400 x 1200	6.0	2.2	4,500
HOBS-1400	1400	1300	1600 x 1400	7.5	3.7	7,100
HOBS-1600	1600	1500	1800 x 1600	9.0	3.7	9,200
HOBS-1800	1800	1700	2000 x 1800	11.0	5.5	10,500
HOBS-2000	2000	1900	2200 x 2000	12.0	5.5	12,500
HOBS-2200	2200	2100	2400 x 2200	13.0	5.5	14,000

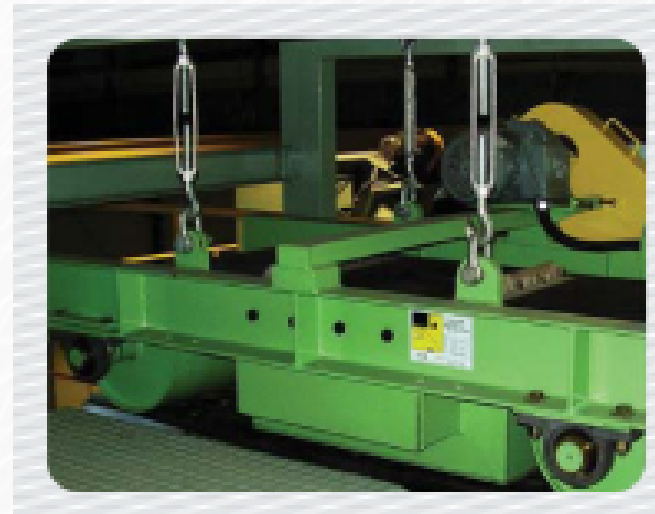
• Options : Dust cover, Explosion-proof motor, Speed switch, Sway switch, Turn buckle supports.



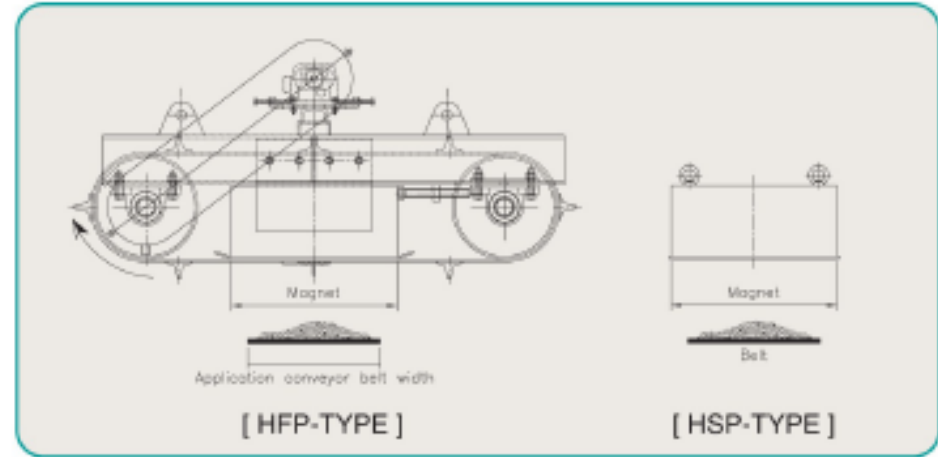
Suspended Permanent Magnetic Separator



- Available in a full range of custom units
- Unlike electromagnetic, permanent magnet requires no electricity to power on the magnet
- Available with or without automatic reject belt



Suspended Electromagnetic Separator



● Specification

Model	Apply Conveyor belt width(mm)	Magnet size (LxW) (mm)	Belt motor (kw)	Weight (kg)
HFP-400	to 400	500 x 350	0.4	610
HFP-500	to 500	550 x 450	0.4	740
HFP-600	to 600	650 x 490	0.75	850
HFP-800	to 750	800 x 650	0.75	1,150
HFP-1000	to 900	1000 x 800	0.75	1,550
HFP-1200	to 1200	1300 x 950	1.5	2,100

• Options : Dust cover, Explosion-proof motor, Speed switch, Sway switch, Turn buckle supports.

Magnetic Pulley

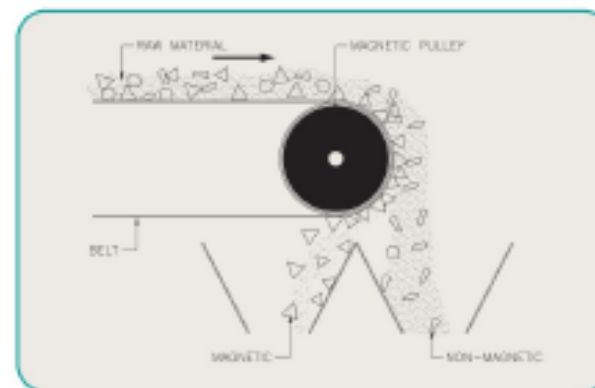
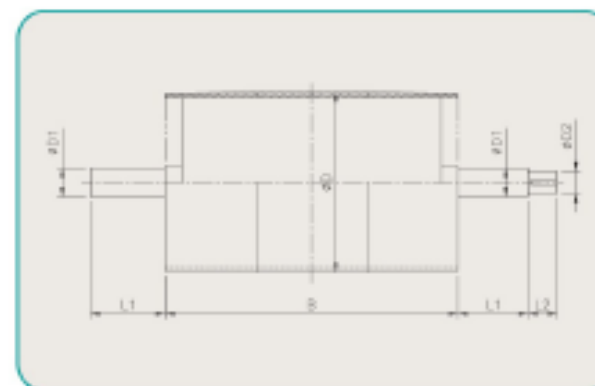


- Automatically separates ferrous items from belt conveyed materials
- Strong permanent magnets with long life
- Electromagnetic pulley is also available

Magnetic Pulley

● Specification

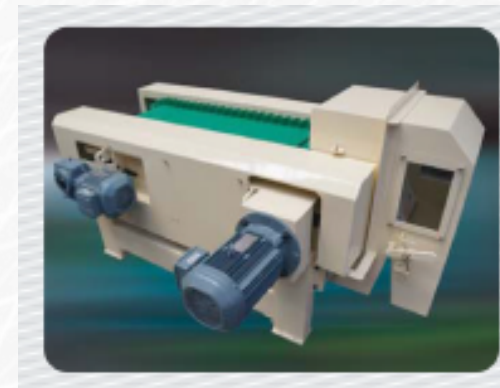
Model	Belt Width	∅ D	B	Magnet Width	∅ D1	∅ D2	L1	L2	Weight (kg)
HPT-2235	350	214	400	300	60	50	135	60	52
HPT-2740	400	265	450	350				86	
HPT-3250	500	315	550	450				135	
HPT-3560	600	350	650	550				280	
HPT-4050	500	400	550	450				300	
HPT-4075	750	400	820	700				450	
HPT-5060	600	500	700	550	75	65	150	480	
HPT-5090	900	500	1000	850			100	750	
HPT-6075	750	600	850	700			900		
HPT-6090	900	600	1000	850	95	90	200	120	1070
HPT-60120	1200	600	1300	1150			1450		
HPT-7575	750	750	850	700			150	1200	
HPT-75120	1200	750	1300	1150	120	95	230	200	1900
HPT-75140	1400	750	1500	1300		100			2150
HPT-90105	1050	900	1150	950	130	120	250	250	2150
HPT-90140	1400	900	1500	1300	140				3050



Eddy Current Separator



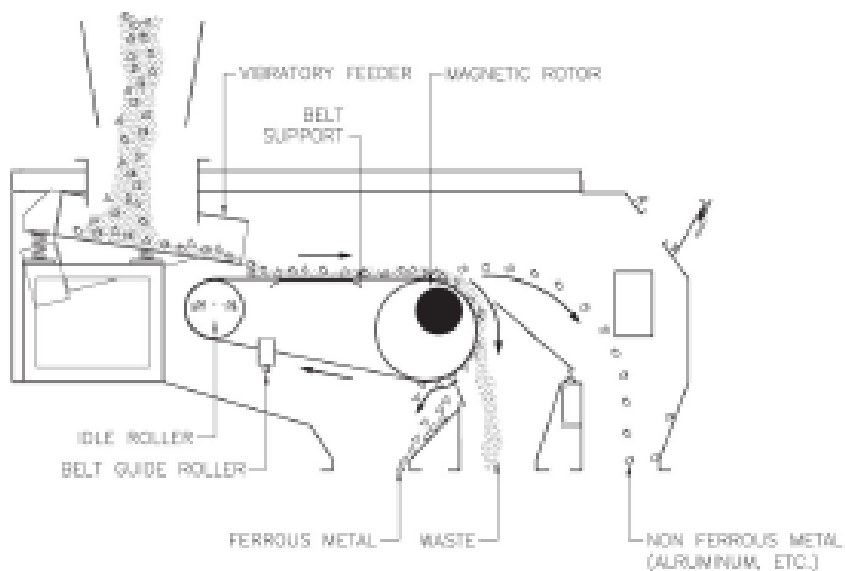
- Separates non ferrous metals such as aluminium, copper, brass etc
- Separates materials into three categories: Ferrous, inerts, non ferrous metals



Eddy Current Separator

We have four types of Eddy Current Separators depending on the size of materials to be separated.

Model	HAR-L	HAR-M	HAR-H	HAR-HI
Poles	12	12	18	24
Gauss	2,000	3,000	4,200	5,200
RPM	2,000	2,200	3,000	3,000
Drum Diameter	181	310	366	366
Size of material to be separated	Aluminum Cans	under 100mm	under 10mm	under 5mm



Specification

Model	Rotor drive (kw)	Belt drive (kw)	Vibratory motor (kw)	Belt width (mm)
HAR-300	3.7	1.5	0.15 x 2	300
HAR-450	5.5	1.5	0.15 x 2	450
HAR-600	5.5	2.2	0.15 x 2	600
HAR-750	7.5	2.2	0.2 x 2	750
HAR-900	7.5	2.2	0.4 x 2	900
HAR-1200	11	2.2	0.4 x 2	1200
HAR-1500	15	2.2	0.75 x 2	1500
HAR-1800	22	3.7	0.75 x 2	1800

Visit our website for our other products:
www.tssco.com.au

