

) -u #o #yk-o#° V'U) =° V) =-Q 'U -u° O) -u #u\k'

## SUITABLE FOR

Airports  
Correctional  
Facilities  
Arenas  
Stadiums  
Public Buildings  
Private Buildings  
Corporate Security  
Special Events  
Courthouses  
Loss Prevention

Our latest, high sensitivity model handheld metal detector - includes alarm, mute/vibration/silent and desensitize modes; also comes with belt-mountable holster as standard. The MD-01 is a high performance Hand Held Metal Detector designed to meet the exact requirements of the security industry. Typical uses will include body search for offensive weapons in crowd control, airport and border security, checking parcels and letters for metal objects and anywhere that hidden metal needs to be detected.



DETEC ELECTRONIC METAL DETECTORS ARE PROUDLY PRODUCED IN AUSTRALIA BY

**TSS COMPANY**  
TRANSMISSION SUPPLY AND SERVICE COMPANY PTY LTD



## MD01 FEATURES

One switch Operation - Turn it on and begin use.

Audible or vibrating alarm. Sharp Audible alarm and bright red LED indicates the detection of metal.

Detects ferrous, non ferrous and stainless steel weapons, contraband and other metallic objects.

Does not require adjustments. No tools required to change 9v Battery.

Large 8" Scan surface for quick thorough scanning.

Battery inserted cartridge style - no wires or connectors for greater reliability.

Self-calibrating: digital microprocessor technology eliminates the need for periodic sensitivity adjustments.

New design offers extended battery life over previous models.

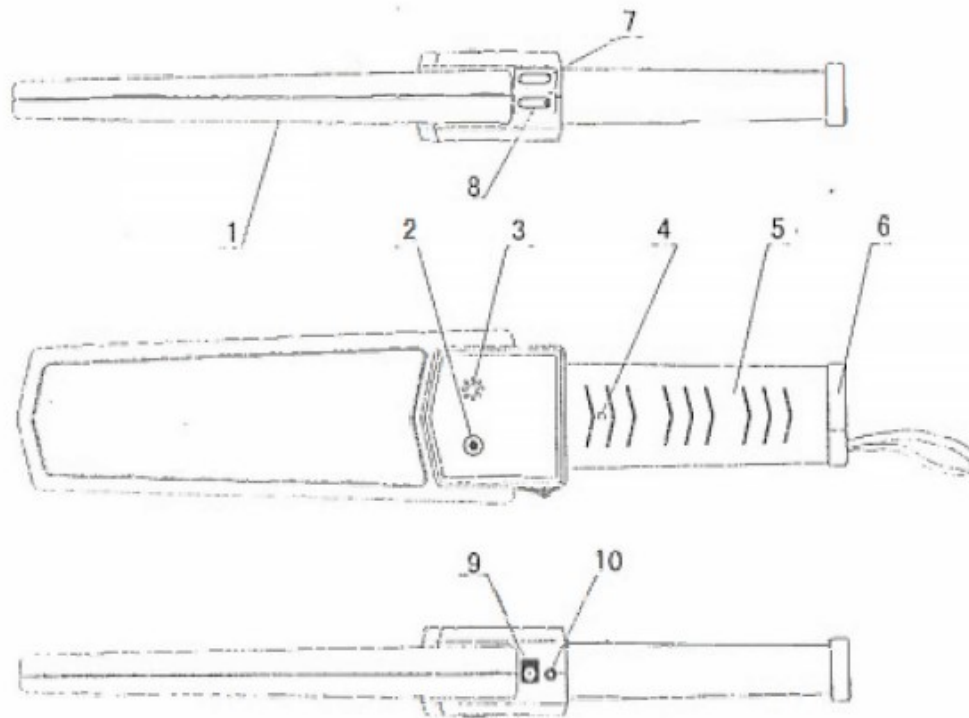
Ultimate sensitivity detector. Used in prisons to detect tiny, hand-crafted weapons. Used in mass transit screening to detect knives, razor blades, box cutters and other forbidden items.



# SPECIFICATIONS

- Power Voltage : 9V Standard or Rechargeable Battery
- Power: 270mW \*9V battery supplied only
- Operating Frequency: 22KHz
- Operating Current: <50mA
- Operating Voltage :7V-9V
- Operating Temperature : -5C° to +55C°
- Net Weight: 390 grams (excluding battery)
- Dimensions: 41(L) X 8.5(W) X 4.5(H) cm

## High Performance Hand Held Metal Detector



1. Detection Face
2. LED (Green/Red Colour)
3. Audio Alert
4. Sensitivity Adjuster
5. Handle

6. Battery Lid
7. Low Sensitivity Switch
8. On/Off Switch
9. Rechargeable Battery Socket \*9V battery supplied only
10. Vibrator Button



# PRICING

Prices can vary depending on the number of units purchased.  
Prices below are listed as AUD

**One detector: \$295ea +GST**

**Two - Nine detectors: \$250ea +GST**

**Ten - Nineteen detectors: \$202ea +GST**

**Twenty+ detectors: \$165ea +GST**

Postage In Australia is sent via Express Post with Tracking.  
International Freight can be organised upon request through our  
freight forwarder.

All MD01 Detectors come with 12 Months Warranty.